



**Model # 82ULB**

**UNDERHOOD  
LIGHT BAR**

**SALES AND MARKETING**

1230 Santa Anita Avenue, Suite E  
South El Monte, CA 91733

Phone: (800) 221-9705

USA Toll Free

Fax: (877) 318-2194

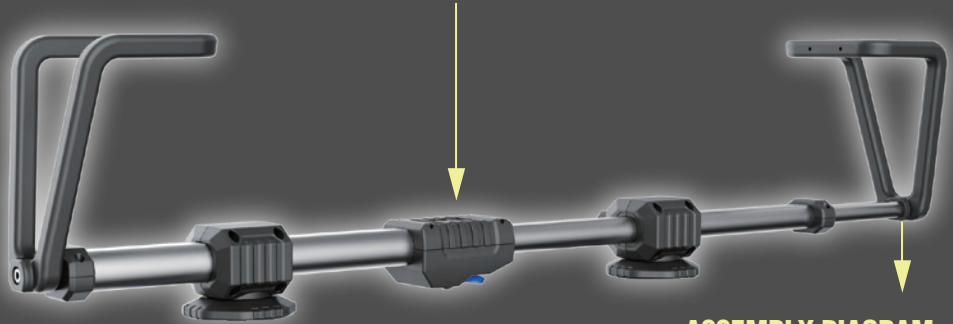
Phone: (626) 228-3170

Fax: (626) 228-3124

372 Old US Highway  
52 South  
Mount Airy, NC 27030



**INCLUDES OPTIONAL POUCH FOR RECHARGEABLE POWER-BANKS, STRAP TO CENTER BRACKET TO RUN POWER TO AND EXTEND THE WORKTIME OF YOUR LIGHTS (LIGHTS AND POWER-BANK NOT INCLUDED)**



**ASSEMBLY DIAGRAM**

**ALUMINUM 33.5" TO 82.5" EXPANDABLE UNDERHOOD BAR WITH ADJUSTABLE MOUNTS FOR WORK LIGHTS AND CORDLESS POWER-BANK STORAGE**



Model	Product Weight	Collapsed Size	Expanded Size
<b>82ULB</b>	<b>3lbs</b>	<b>33.5 x 3 x 5</b>	<b>82.5 x 3 x 5</b>

**SELF-TENSIONING HOOD HOOK ENDS, QUICK ADJUST AND LOCKING LEVER CENTER BRACKET, AND TWO PUSH BUTTON ADJUST, LOCK AND ROTATE MOUNTING PADS FOR MAGNETIC WORK LIGHTS**

**Astro Pneumatic  
Tool Company**

E-mail : [astrotools@astrotools.com](mailto:astrotools@astrotools.com)

WEBSITE : [www.astrotools.com](http://www.astrotools.com)



**SHOP EQUIPMENT**

UNDERCAR KIT    HYDRAULICS    HAND TOOLS    AIR TOOLS

